

Putting Green

Plytanium® Plywood



Georgia-Pacific



Putting Green

Brush up your putting skills or simply enjoy mini-golf in your basement with the whole family. Here is a fun project for the advanced beginner or intermediate-level do-it-yourself carpenter. The L-shaped indoor putting green is 12' long with a step-up platform. We used a quality foam-backed turf recommended specifically for practice putting greens. Whether you use an authentic turf or not, be sure to ask for Plytanium® Plywood at the home center or lumber yard where you purchase the building materials.

Georgia-Pacific Corporation makes no warranties expressed or implied, regarding this plan and specifically disclaims the warranties of merchantability and fitness for a particular purpose. Check with an architect or a building expert to make sure that this plan is appropriate to your situation and meets local building codes.

Materials Needed

- 2—4' x 8' x 19/32" Plytanium B-C sanded plywood
- 9—2" x 4" x 8' Southern pine lumber
- 1—1" x 6" x 12' board
- 3—1" x 6" x 8' boards
- 2 lbs—3" Coarse thread drywall screws (framing fasteners)
- 2 lbs—2" Coarse thread drywall screws (plywood fasteners)
- 2 lbs—1 5/8" Trimhead screws
- 4—# 6 x 3/4" wood screws (install putting cup)
- 3—3/8" x 3 1/2" Hex head bolts
- 3—3/8" Hex nuts
- 6—3/8" Flat washers
- 1—Putting cup (4" atrium drain)
- 1—Putting green turf (5' x 12')
- 1 gal—Adhesive (to install turf)
- 4'—Seaming material
- 1 qt—Stain or paint
- Green Paint

Tools

- Circular saw
- Jig saw
- Drill
- Measuring tape

- Drywall or framing square
- Utility knife
- Hammer
- Screw driver
- Putty knife clamps (2 required)
- Drill bits
- Philips head screw bit #2
- Adjustable wrench
- Compass
- Safety glasses
- Leather safety gloves

Cutting List

- 2—2" x 4" x 8'
- 2—2" x 4" x 60"
- 5—2" x 4" x 45"
- 7—2" x 4" x 33"
- 1—1" x 6" x 12'
- 1—1" x 6" x 95 1/2"
- 1—1" x 6" x 61 1/2"
- 1—1" x 6" x 49"
- 1—1" x 6" x 37 1/2"
- 1—1" x 6" x 24"
- 1—36" x 96" x 19/32" Plytanium B-C Sanded Plywood
- 1—48" x 60" x 19/32" Plytanium B-C Sanded Plywood

Step 1. Preparation

- Select a location that is large enough to accommodate the 12' length and 5' width, with enough ceiling height to stand and swing the club, and enough space to walk around the green comfortably. You can take the green apart and move it, but you will have to cut the turf to do so. Select a permanent spot if possible.
- You will probably have to order the putting green turf and adhesive. You can locate suppliers by doing an Internet search. Type in the phrase "indoor putting green turf foam" to find options for purchasing a foam-backed turf.
- Pre-stain the 1 x 6s used as the skirting before you cut them. It is easier to do this before they are attached to the frame.

Follow the manufacturer's directions as the drying time will vary depending on the humidity. Once you have installed the skirting (see Step 7), go back and touch up the exposed cut edges.

- d Always wear safety glasses when operating power tools. Wear leather safety gloves when using a utility knife.

Step 2. Build the frame.

Cut the 2 x 4s used for platform frames to the exact lengths as specified on the cut list. Check the measurements of these pieces to ensure the assembled frame will be the same size as the cut plywood panels. Note: to minimize waste, one 60" and one 33" piece should be cut from the same 2 x 4.

Main platform.

- a *Frame:* Place the two (2) 8' 2 x 4s parallel to each other for the side pieces. Place a 33" 2 x 4 at each end between the side pieces. This will result with a frame 36" x 96". Using a #2 Philips Head screw bit, fasten the four corners with two (2) 3" coarse thread drywall screws.
- b *Cross Supports:* Position five (5) 33" 2 x 4s between the side pieces 16" on center. A neat way to do this is to make a pencil mark at the center of the 2 x 4 and mark the side pieces 16" on center. Match the pencil marks for exact placement of the cross supports. Attach the cross supports with 3" coarse thread drywall screws.

Extension platform.

- a *Frame:* Place two (2) 60" 2 x 4s parallel to each other for the side pieces. Place a 45" 2 x 4 at each end between the side pieces. This will result with a frame 60" x 48". Fasten the four corners with 3" coarse thread drywall screws.
- b *Cross Supports:* Position three (3) 45" 2 x 4s between the side pieces 16" on center. Mark and attach the cross supports the same way as the main platform.

Step 3. Bolt the platforms together

- a Position the main platform and extension platform at a right angle so the frame is in an "L" shape. *Tip: if you prefer to play left-handed or right-handed, you can position the extension on either side of the main platform.*
- b Clamp the platforms together. Drill two holes approximately 3" inside from the overlapping corners. Drill a third hole

equidistant between the first two holes.

- c Bolt the platforms together with the three (3) $\frac{3}{8}$ " x $\frac{3}{2}$ " hex head bolts and hex nuts. Place a $\frac{3}{8}$ " flat washer on both sides of the hole where the bolt will go through the framing. Tighten with a wrench.

Step 4. Attach Plytanium B-C Sanded Plywood Decks to Platforms

Main deck.

- a Referring to the cut list, use a circular saw to cut the Plytanium B-C Sanded Plywood Panels for the 3' x 8' section.
- b Place the 3' x 8' plywood panel over the matching frame. Note that the grain of the wood runs perpendicular to the cross supports. Using a drywall or framing square, draw pencil lines 16" on center the full width of the deck as a guide for positioning the screws.
- c Using the factory cut edge (8' edge) square the frame with the plywood. It may be necessary to tap the frame with a hammer in order to square it with the plywood. Once squared, start at one end and fasten both corners. Work down the sides and across the supports where the pencil lines are drawn. Fasten the deck to the frame with 2" coarse thread drywall screws. Screws should be spaced 6" on center around the perimeter and 12" on center at the intermediate supports. Keep the deck squared up as you go.

Extension deck.

- a Referring to the cut list, use a circular saw to cut the Plytanium B-C sanded plywood panels for the 4' x 5' deck section.
- b Place the 4' x 5' plywood panel over the matching frame. Make sure the grain of the wood runs perpendicular to the cross supports. This provides the most rigid surface possible.
- c Draw fastener lines and attach the deck following the same procedure as with the main deck.

Step 5. Cut hole for cup in deck

- a Decide where you want to position the cup. Ours is centered on the course about 8" from the end. Once you determine the distance to the center of the cup, measure twice that distance from the end of the putting platform. Using a drywall or framing square, draw a straight line the width of the deck. Next

draw diagonal lines from each corner to the opposite side where the line is. The intersection of the diagonal lines is the center of your hole!

- b Use a compass to draw a circle the diameter of your cup.
- c Using a jig saw carefully cut the hole. Tip: Drill a pilot hole so it is easier to get the blade in position to cut.
- d *Tip: For a perfect finish, brush some green paint around perimeter of the plywood deck and around the cup hole to mask any possible gaps.*

Step 6. Cut hole for cup in turf. Adhere turf.

- a Measure the turf and cut to size using the constructed deck as a guide. Follow the manufacturer's directions for cutting. Our turf came in convenient 12' lengths. Cut the 12' x 3' piece and then cut a remnant for the 2' x 4' section remaining on the extension platform.
- b Mark the hole in the turf using the same steps to cut the hole in the deck. Measure and mark the back of the turf the same way as the plywood in the previous step. The circular piece of plywood cut from the deck may be used as a pattern to trace around. The "Xs" may be matched up and used as a guide.
- c Put on the safety gloves and carefully cut the hole using a sharp utility knife.
- d Apply the adhesive and lay down the turf following the manufacturer's directions. Always use the type of adhesive recommended by the manufacturer. Be careful to line up the cup hole and corners. Adhere the remnant to the 2' x 4' section. Pay close attention to the seam. Make it as flush as possible. Seam tape is also available from turf suppliers.

Step 7. Add cup and attach Skirting.

- a Drill four holes in the lip of the cup (atrium drain) to accept the wood screws. Fasten to the deck with #6 x 3/4" wood screws.
- b After you build the frames and bolt them together (after Step 3), measure and cut the 1 x 6 skirting pieces to fit the exact

size of the frame. The short piece (24") on the inside of the "L" should be installed first. The end pieces should overlap the long sides at the corners.

- c To ensure proper fit place all skirting pieces in position around the outside of the putting green before fastening (this is called a "dry fit"). End pieces should overlap the longer sides at the corners. The short piece (24") on the inside of the "L" should be installed first.
- d Fasten the skirting to the frame. Also fasten the overlapping corners together.

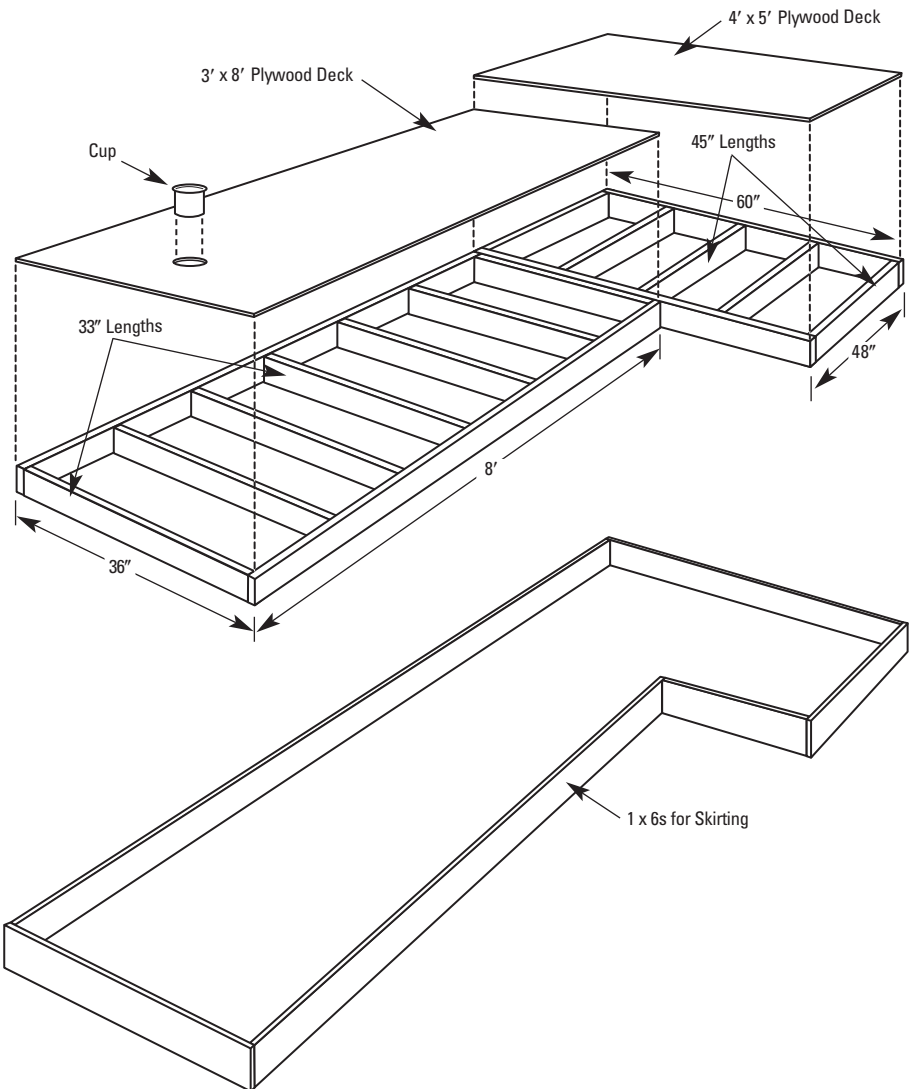
Use 1 5/8" trim head screws for a nice finished surface with minimum screw head exposure.

- e Touch up the exposed cut edges with the stain.

Step 8. Fore!

It's tee time on your very own indoor putting green. Enjoy!

And always remember to Build It Better® yourself with quality Plytanium® Plywood panels from Georgia-Pacific.



Georgia-Pacific Corporation
 Building Products
 55 Park Place, N.E.
 Atlanta, GA 30303
1-800 BUILD GP
www.gp.com/build

PLYTANIUM and BUILD IT BETTER are registered trademarks of Georgia-Pacific Corporation.
 ©2005 Georgia-Pacific Corporation. All rights reserved.
 Printed in the U.S.A. 10/05.